

## Produktinformation

---

### Stahlbuchse mit Bund und Schmiernut

Art-Nr.: STBU-BU-SN



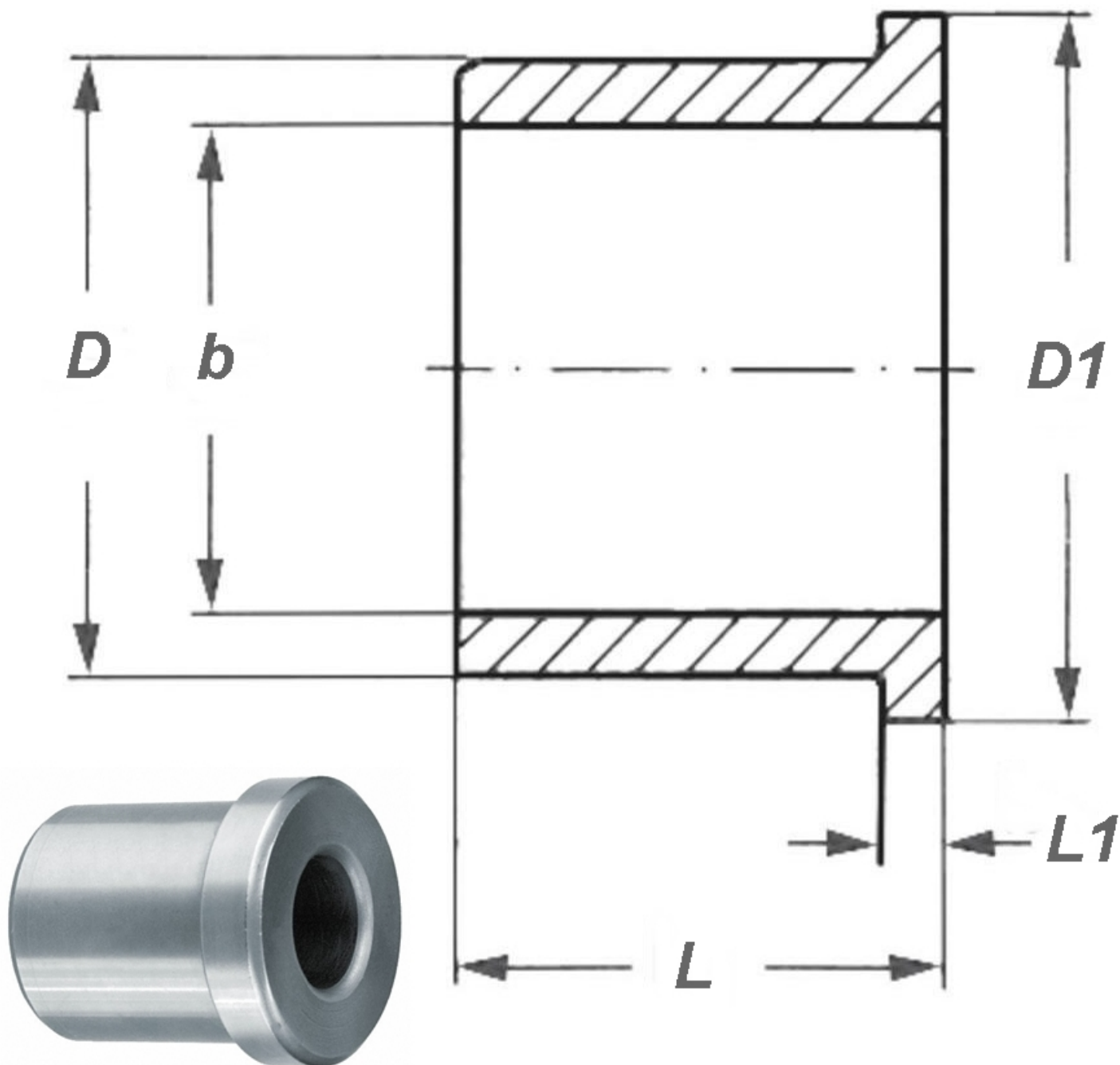
*Buchse mit Bund und Kreuz-Schmiernut*

*Innen H8 - Außen h9*

- *Artikelserie* : *Für Wellen 25mm - 100mm*
- *Qualität* : *1A - gedreht blank*
- *Werkstoff* : *Stahl S355JR*
- *Schweißbar* : *Ja*

*Andere Abmaße möglich bitte Anfragen*

*Diese Artikel werden angefertigt - Lieferzeit beachten - Deutsche Herstellung*



b= Bohrung H8	L= Gesamtlänge	L1= Bundlänge	D= Durchmesser	D1= Bunddurchmesser
20mm	50mm	5mm	30mm	39mm
20mm	70mm	5mm	30mm	39mm
22mm	50mm	5mm	32mm	41mm
22mm	70mm	5mm	32mm	41mm
25mm	50mm	5mm	35mm	44mm
25mm	70mm	5mm	35mm	44mm



## Produktinformation

---

30mm	50mm	5mm	40mm	49mm
30mm	70mm	5mm	40mm	49mm
35mm	50mm	5mm	45mm	54mm
35mm	70mm	5mm	45mm	54mm
40mm	50mm	5mm	50mm	59mm
40mm	70mm	5mm	50mm	59mm
45mm	50mm	5mm	55mm	64mm
45mm	70mm	5mm	55mm	64mm
50mm	50mm	10mm	70mm	89mm
50mm	100mm	10mm	70mm	89mm
60mm	50mm	10mm	80mm	99mm
60mm	100mm	10mm	80mm	99mm
70mm	50mm	10mm	90mm	109mm
70mm	100mm	10mm	90mm	109mm
80mm	50mm	10mm	100mm	119mm
80mm	100mm	10mm	100mm	119mm
100mm	50mm	10mm	120mm	139mm
100mm	100mm	10mm	120mm	139mm

### verfügbare Optionen

#### Bohrung / Länge

B25-L50 (49,39EUR)  
B25-L70 (54,26EUR)  
B30-L50 (52,96EUR)  
B30-L70 (58,19EUR)  
B35-L50 (58,19EUR)  
B35-L70 (63,07EUR)  
B40-L50 (63,67EUR)  
B40-L70 (71,28EUR)  
B45-L50 (71,16EUR)  
B45-L70 (76,04EUR)  
B50-L50 (110,55EUR)  
B50-L100 (168,98EUR)  
B60-L50 (145,18EUR)  
B60-L100 (190,40EUR)  
B70-L50 (164,82EUR)  
B70-L100 (215,39EUR)  
B80-L50 (189,21EUR)  
B80-L100 (255,85EUR)  
B100-L50 (245,14EUR)  
B100-L100 (310,59EUR)